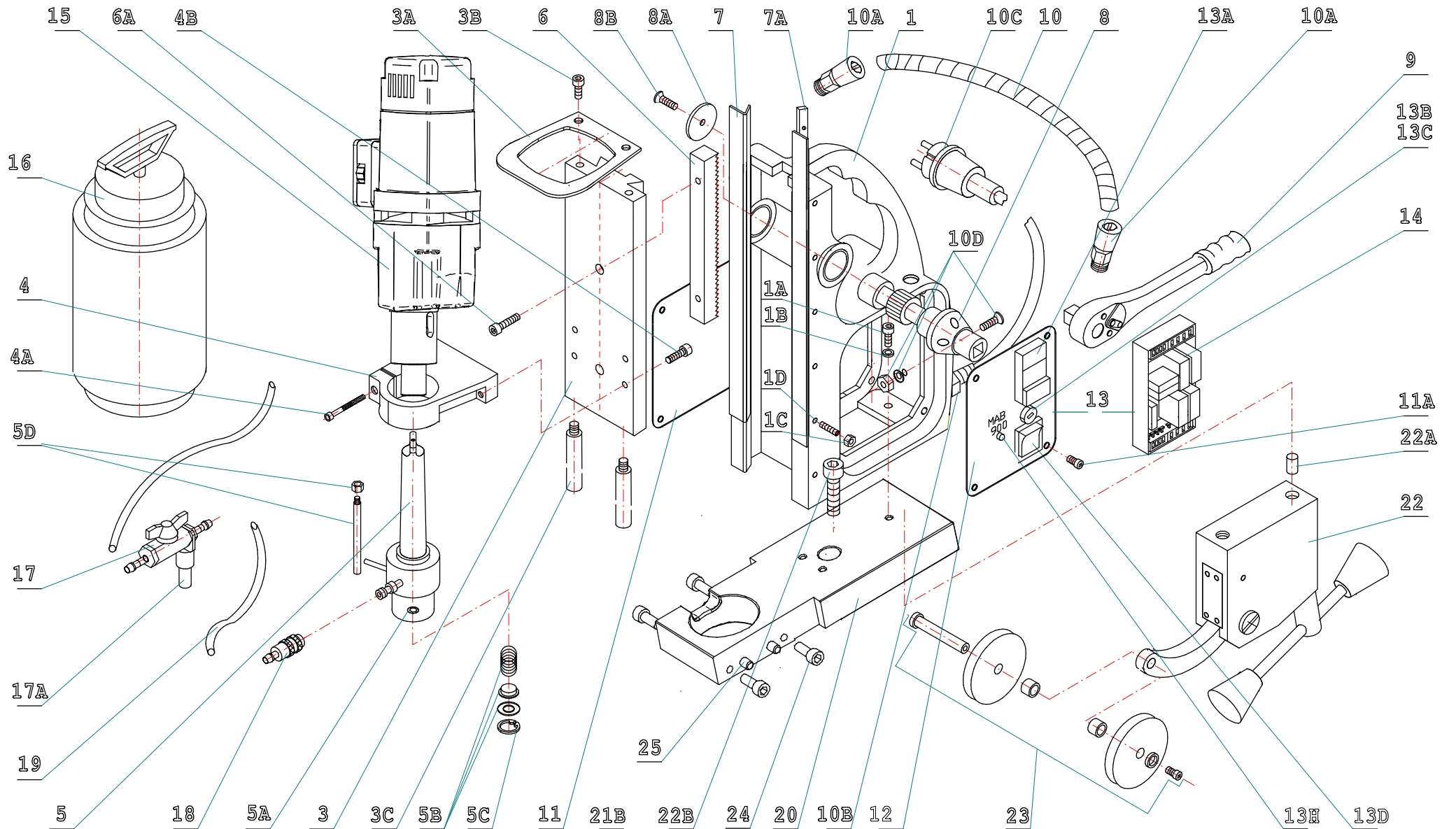


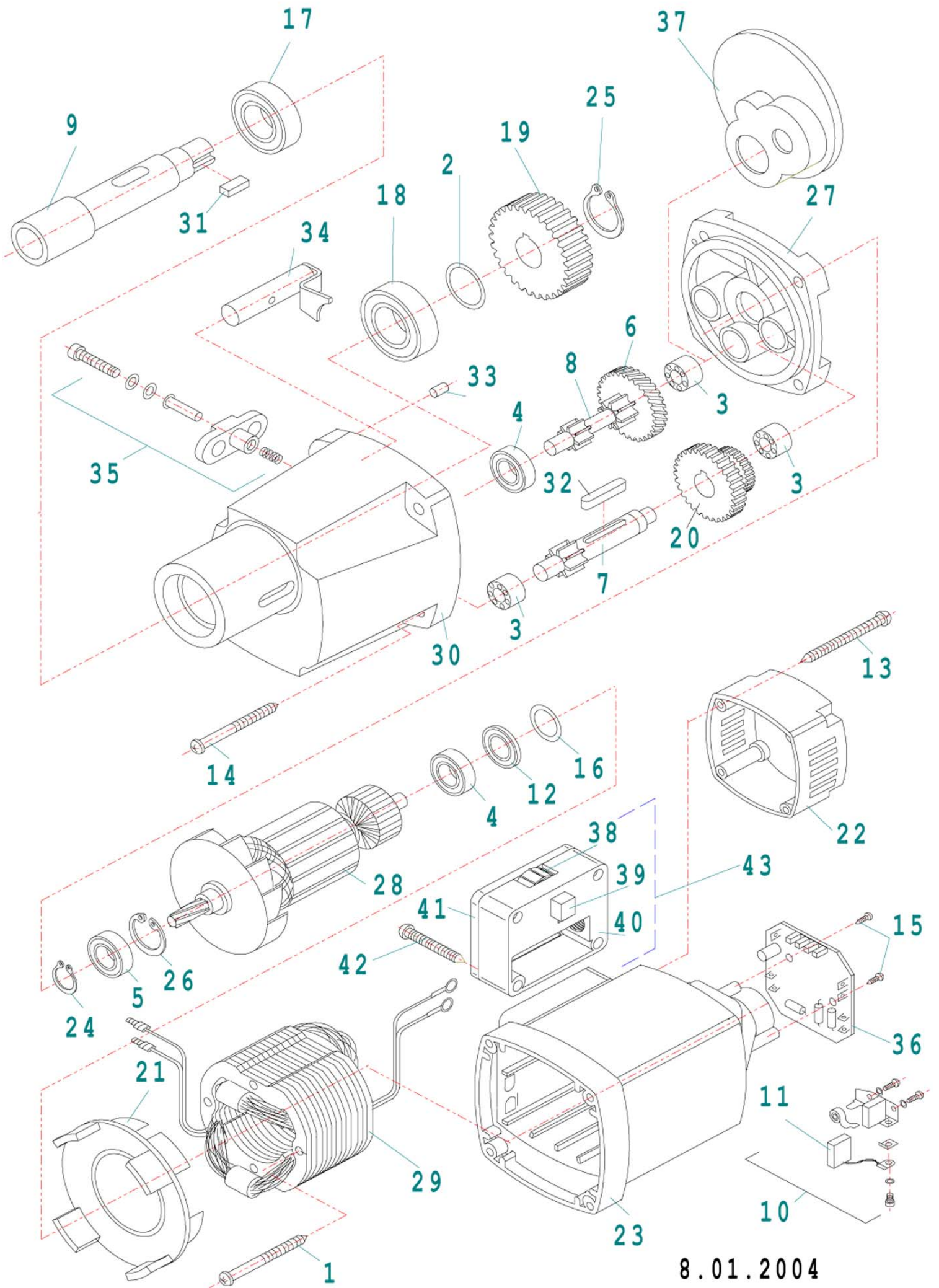
MAB 900  
Antriebseinheit 480



Item No.	Part.-No.	Denomination
1	60 1000 3	Housing 3-wholes
2	60 1001 1	Screw M6 x 16
3	60 1002 1	Spring washer 6,3
4	60 1003 1	Nut M5
5	60 1004 1	Adjusting screw M5 for slide
8	60 1035 1	Slide
9	60 1008 1	Tooth rack
10	60 1009 1	Screw M6 x 20
11	60 1036 1	Gear holder motor
12	60 1011 1	Screw M6 x 25
13	60 1034 1	Motor support bracket
14	60 1019 4	Guide rail (1 set right/left) to be glued
15	60 1020 3	Adjustment rail right
16	60 1021 1	Shaft for gear wheel
17	60 1022 1	Disc for tooth rack
18	60 1023 1	Screw for shaft for gear wheel M6 x 16
20	70 1000 1	Cable protection tube
20 A	70 1045 2	Cable protection tube complete with gland and cable (4 cables)
20 B	70 1045 1	Cable protection tube complete with gland and cable (6 cables)
21	70 1002 1	Gland PG 9
22	70 1003 1	Mains cable gland PG 11
23	70 1004 1	Connection cable 220 - 240 V with plug
23 A	70 1041 1	Connection cable 220 - 240 V with English plug
23 B	70 1005 1	Connection cable 110 V (plug on demand)
24	70 1006 1	Earth screw, complete
25	70 1046 1	Side plate
26	70 1008 1	Screw for front plate M4 x 6
27	70 1047 2	Switch plate front side for indicator (from Jan. 2002)
28	70 1010 1	LED display for indicator red/green (from Jan. 2002)
28 A	70 1033 1	LED display green (until the end of 2001)
29	70 1011 1	Actuator
30	70 1012 1	Fuse holder
31	70 1013 1	Fuse 2A, 5 x 20, 250, 250 V F, DIN 41 661
33	70 1031 1	Potentiometer 220 kOhm (until 05/2003)
34	70 1032 1	Switch for potentiometer complete (until 05/2003)
36	70 1049 2	PC board with 5 relais 230 V
36 A	70 1050 2	PC board with 5 relais 110 V
36 B	70 1053 2	PC board with 5 relais for magne +35% magnetic adhesion
37	70 1051 2	Switch plate complete with switches and PC board 5 relais 230 V

<b>Item No.</b>	<b>Part.-No.</b>	<b>Denomination</b>
<b>37 A</b>	<b>70 1052 2</b>	<b>Switch plate complete with switches and PC board 5 relais 110 V</b>
<b>38</b>	<b>50 0480 1</b>	<b>Motor MAB 480 - completo 230 V</b>
<b>38 A</b>	<b>50 0481 1</b>	<b>Motor MAB 480 complete - 110 V</b>
<b>39</b>	<b>60 1039 1</b>	<b>Cover for potentiometer</b>
<b>40</b>	<b>60 1040 1</b>	<b>Screw M5 x 35 (until 05/2003)</b>

# MAB 900



8.01.2004

Item No.	Part.-No.	Denomination
1	50 1003 1	Screw 3,9 x 60
2	50 1053 1	Disc 15/22 x 0,2
3	50 1035 1	Needle bearing HK 0810
4	50 1006 1	Ball bearing 608 2Z
5	50 1250 1	Ball bearing 6001 2RS
6	50 1054 1	Intermedium gear wheel 34 teeth
7	50 1041 1	Shaft for gear wheel 13 teeth
8	50 1042 1	Shaft with 2 gear wheels
9	50 1055 1	Spindle
10	50 1056 1	Carbon brush holder
11	50 1057 1	Carbon brush
12	50 1078 1	Magnet ring
13	50 1058 1	Screw 4,8 x 45
14	50 1023 1	Screw 4,8 x 50
15	50 1079 1	Screw - 2 pieces
16	50 1059 1	Disc 22 x 2,5
17	50 1060 1	Ball bearing 6904 2RS
18	50 1061 1	Ball bearing 6203 2RS
19	50 1062 1	Spindle gear wheel 22 teeth
20	50 1063 1	Gear wheel block 34/40 teeth
21	50 1064 1	AIR conducting ring
22	50 1069 1	Cap for motor housing
23	50 1070 1	Housing for motor complete
24	50 1071 1	Circlip ring 11/1
25	50 1072 1	Circlip ring 15/1
26	50 1027 1	Circlip ring 28/1,2
27	50 1073 1	Shield plate
28	50 1080 1	Armature 220 - 240 V
28 A	50 1081 1	Armature 110 V
29	50 1082 1	Field coil 220 - 240 V
29 A	50 1083 1	Field coil 110 V
30	50 1074 1	Gear box case
31	50 1075 1	Spring A5 x 5 x 12
32	50 1050 1	Spring A5 x 5 x 28
33	50 1029 1	Pin 4 x 12
34	50 1076 1	Bolt for coupling complete
35	50 1052 1	Gear change complete
36	50 1084 1	PC board for motor 220 V
36 A	50 1085 1	PC board for motor 110 V

<b>Item No.</b>	<b>Part.-No.</b>	<b>Denomination</b>
37	50 1077 1	Shaft seal for grease chamber
38	50 1086 1	Adjustment wheel (blue) for speed control 2 V
39	50 1087 1	Potentiometer for speed control 250 kOhm
40	50 1088 1	Housing for potentiometer
41	50 1089 1	Cover for housing
42	50 1249 1	Screw M5 x 40
43	50 1251 1	Housing for potentiometer complete