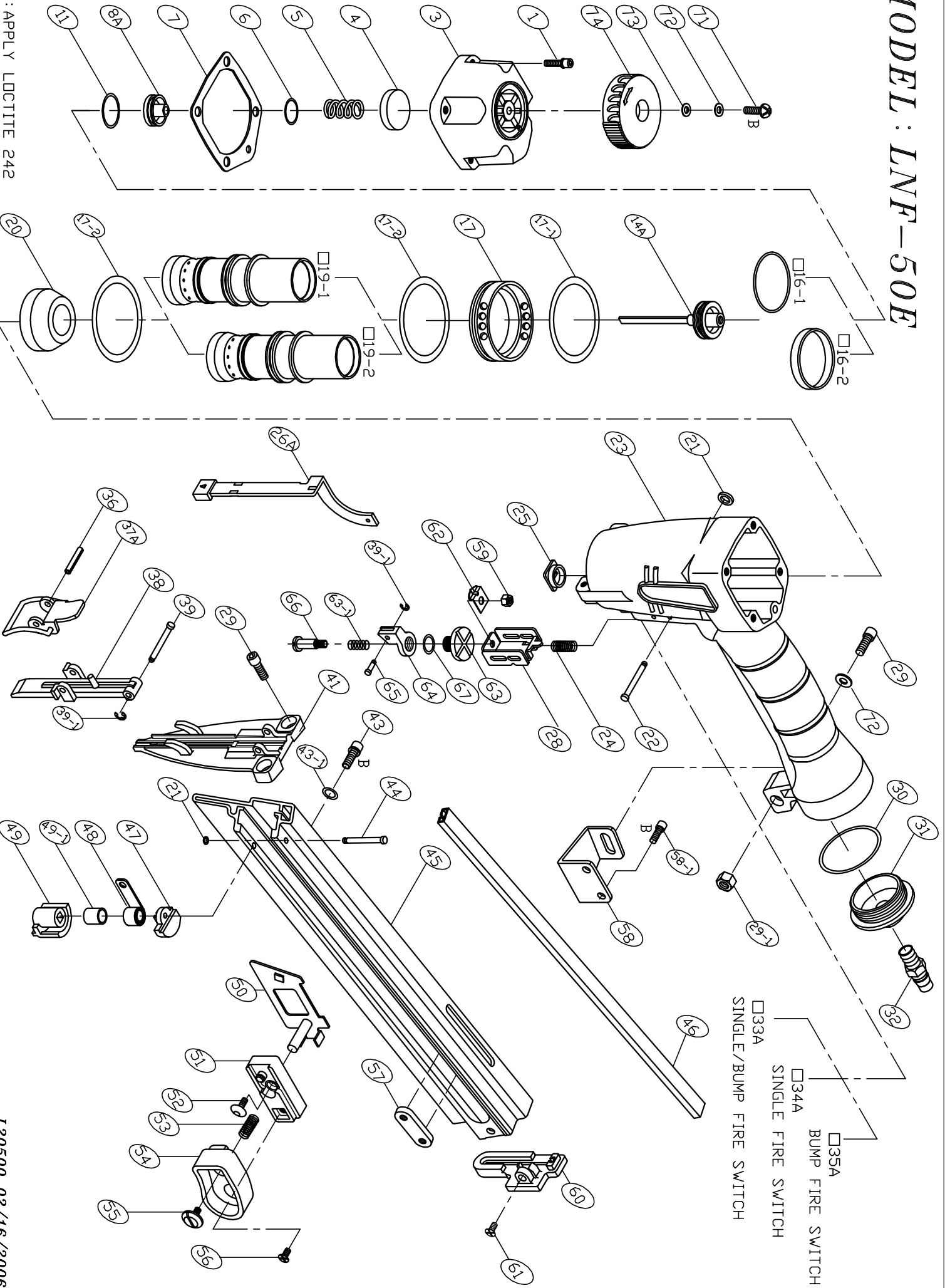


MODEL: LNF-50E

*B: APPLY LOCTITE 242



PARTS LIST (LNF-50E)

*WHEN ORDERING SPARE PARTS, PLEASE STATE ITEM No, PART NO. AND DESCRIPTION.

ITEM	PART NO	DESCRIPTION	QTY	ITEM	PART NO	DESCRIPTION	QTY	ITEM	PART NO	DESCRIPTION	QTY
01	HS05080BW-20	HEX. SOC. HD. BOLT+SW	4	41	20504102	DRIVER GUIDE	1				
03	13900306	CAP	1	43	HS05080B-06	HEX. SOC. HD. BOLT	1				
04	12100401	SEAL**	1	43-1	SW0500W	SPRING WASHER	1				
05	12100501	SPRING**	1	44	18602701	SHAFT	1				
06	OR13824N	O RING**	1	45	20504502	MAGAZINE	1				
07	11100701	CAP SEAL**	1	46	20504601	NAIL GUIDE LINER	1				
08A	13900801A	HEAD VALVE ASM.	1	47	21906401	COVER	1				
11	OR31824N	O RING**	1	48	21906501	SPIRAL SPRING**	1				
14A	20501402A	DRIVER ASSEMBLY**	1	49	21906602	COVER	1				
16-1	OR23735N	O RING**	1	49-1	21906101	ROLLER	1				
16-2	13901304	PISTON RING	1	50	20505001	PUSHER	1				
17	13901903	COLLAR	1	51	21907001	FOLLOWER SEAT	1				
17-1	OR44431N	O RING**	1	52	CS0406B	CAP HD. SELF SCREW	1				
17-2	OR35020N	O RING**	2	53	21907101	SPRING	1				
19-1	13901902	CYLINDER	1	54	21907201	FOLLOWER BODY	1				
19-2	13901902G	CYLINDER	1	55	21907301	UM. HD. BOLT	1				
20	13902001	BUMPER**	1	56	FS0514S	FLAT HD SELF SCREW	1				
21	OR01919N	O RING**	3	57	20505701	SET PLATE	1				
22	11103201	STEPPED PIN	2	58	20505801	BRACKET	1				
23	11102309	BODY	1	58-1	HS04070B-08	HEX. SOC. HD. BOLT	2				
24	11002601	SPRING	1	59	LN0400N	LOCK NUT	1				
25	20502501	JOINT GUIDE	1	60	20506001	TAIL COVER	1				
26A	20502602A	SAFETY LEVER	1	61	FS0510B	FLAT HD SELF SCREW	1				
28	11002702	GUIDE SAFETY LEVER	1	62	21903501	POSITIONING PLATE	1				
29	HS05080B-16	HEX. SOC. HD. BOLT	3	63	18103202	SAFETY ADJUSTING NUT	1				
29-1	LN0500N	LOCK NUT	1	63-1	18103101	SPRING	1				
30	OR40030N	O RING**	1	64	20506401	GUIDE PLATE	1				
31	11106601	COVER	1	65	20506501	STEPPED PIN	1				
32	12106401	AIR PLUG	1	66	18104601	SET SHAFT	1				
36	RP3020S	ROLLED PIN	1	67	OR06010N	O RING**	1				
37A	13104101A	LATCH**	1	71	US05080B-06	UM. HD. BOLT	1				
38	20503802	DRIVER GUIDE COVER	1	72	FW050120B-08	FLAT WASHER	2				
39	12105801	SHAFT	1	73	12103301	SEAL	1				
39-1	ER0250R	E RING	2	74	13907403	EXHAUST COVER	1				