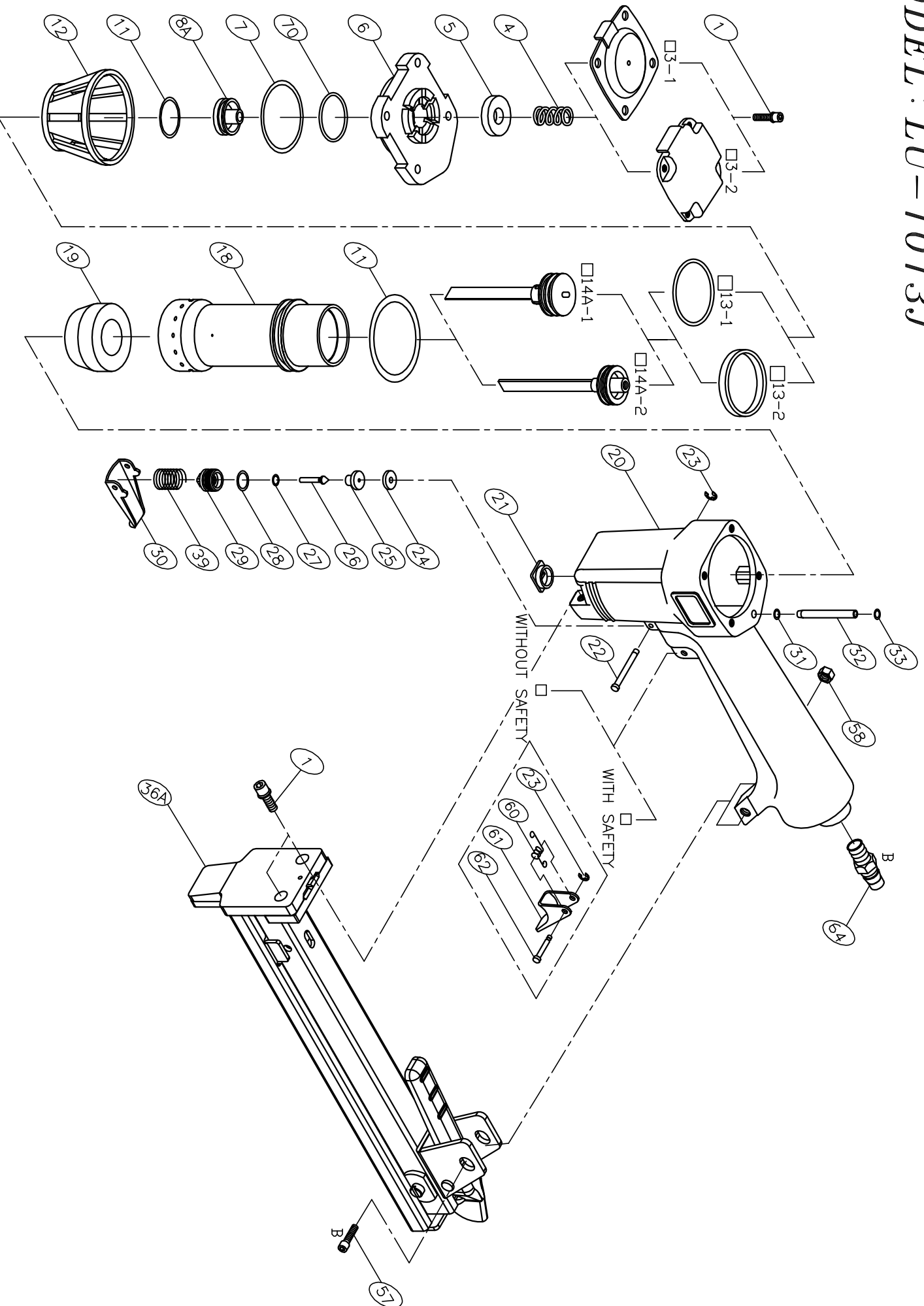


# MODEL: LU-1013J



\*B : APPLY LOCTITE 242

## PARTS LIST (LU-1013J)

\*WHEN ORDERING SPARE PARTS, PLEASE STATE ITEM No, PART NO. AND DESCRIPTION.

ITEM	PART NO	DESCRIPTION	QTY	ITEM	PART NO	DESCRIPTION	QTY	ITEM	PART NO	DESCRIPTION	QTY
01	HS05080BW-20	HEX. SOC. HD. BOLT+SW	6	60	11009101	TOR. SPRING	1				
03-1	10200301	CAP COVER	1	61	11002801	TRIGGER	1				
03-2	10200302	CAP COVER	1	62	10206201	STEPPED PIN	1				
04	10200401	SPRING**	1	64	12106401	AIR PLUG	1				
05	10200501	SEAL	1	70	OR11824N	O RING**	1				
06	10200601	CAP	1								
07	OR32010N	O RING**	1								
08A	10200801A	HEAD VALVE ASM.	1								
11	OR27025N	O RING**	2								
12	10201201	COLLAR	1								
13-1	OR17730N	O RING**	1								
13-2	11501303	PISTON RING	1								
14A-1	10501401A	DRIVER ASSEMBLY**	1								
14A-2	10501402A	DRIVER ASSEMBLY	1								
18	10201801	CYLINDER	1								
19	10201901	BUMPER**	1								
20	10202001	BODY	1								
21	10202101	JOINT GUIDE	1								
22	10202201	STEPPED PIN	1								
23	ER0250R	E RING	2								
24	12103301	SEAL	1								
25	12103401	TRIGGER VALVE HEAD	1								
26	12103501	TRIGGER VALVE STEM	1								
27	OR01919N	O RING**	1								
28	OR10719N	O RING**	1								
29	12103801	TRIGGER VALVE GUIDE	1								
30	10203001	TRIGGER	1								
31	OR04515N	O RING**	1								
32	10203201	TUBE	1								
33	OR02819N1	O RING**	1								
36A	105A-00041	MAGAZINE ASSEMBLY	1								
39	12103901	SPRING	1								
57	HS05080B-22	HEX. SOC. HD. BOLT	1								
58	LN0500N	LOCK NUT	1								