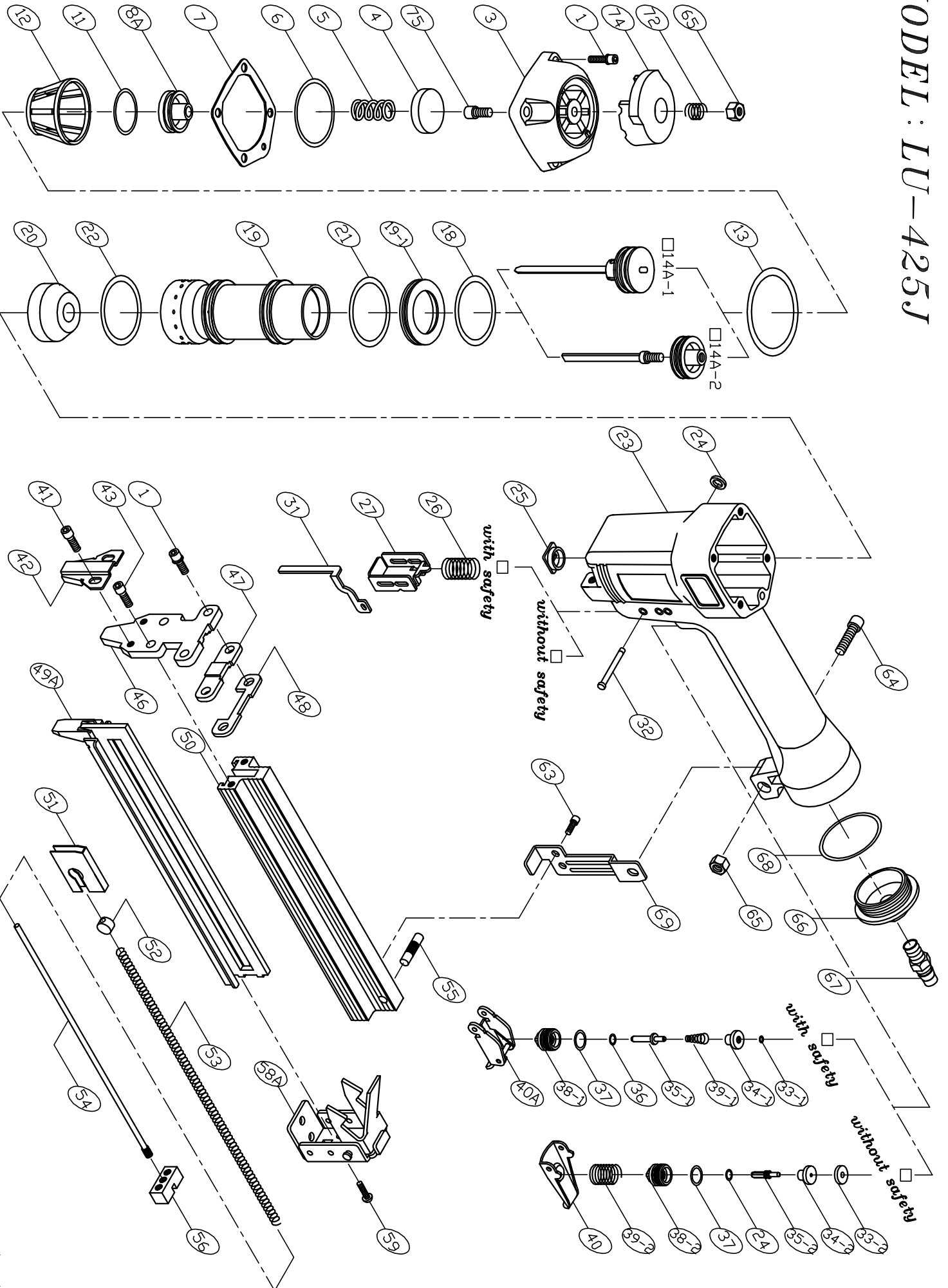


MODEL: LU-425J



PARTS LIST (LU-425J)

*WHEN ORDERING SPARE PARTS, PLEASE STATE ITEM No, PART NO. AND DESCRIPTION.

ITEM	PART NO	DESCRIPTION	QTY	ITEM	PART NO	DESCRIPTION	QTY	ITEM	PART NO	DESCRIPTION	QTY
01	HS05080BW-20	HEX. SOC. HD. BOLT+SW	6	38-2	12103801	TRIGGER VALVE GUIDE	1				
03	11000301	CAP	1	39-1	11006901	SPRING	1				
04	12100401	SEAL**	1	39-2	12103901	SPRING	1				
05	12100501	SPRING**	1	40	12104001	TRIGGER	1				
06	OR13824N	O RING**	1	40A	15104501A	TRIGGER ASSEMBLY	1				
07	11000701	CAP SEAL**	1	41	HS04070B-05	HEX. SOC. HD. BOLT	2				
08A	12100801A	HEAD VALVE ASM.	1	42	11304201	NOSE COVER	1				
11	OR31824N	O RING**	1	43	HS04070B-12	HEX. SOC. HD. BOLT	2				
12	11001201	COLLAR	1	46	11304601	NOSE	1				
13	OR22431N	O RING**	1	47	11304701	SET PLATE	1				
14A-1	11301401A	DRIVER ASSEMBLY**	1	48	12104501	SET PLATE	1				
14A-2	11301402A	DRIVER ASSEMBLY**	1	49A	11304901A	STAPLE GUIDE UNIT	1				
18	OR43526N	O RING**	1	50	11305001	MAGAZINE	1				
19	11001904	CYLINDER	1	51	11305101	PUSHER	1				
19-1	11001903	COLLAR	1	52	11305201	SLIDE BLOCK	1				
20	11002001	BUMPER**	1	53	11305301	SPRING**	1				
21	OR32025N	O RING**	1	54	11305401	ROD	1				
22	OR29826N	O RING**	1	55	11305501	SHAFT	1				
23	11002301	BODY	1	56	11305601	SET BLOCK	1				
24	OR01919N	O RING**	2	58A	11605801A	END CORE ASM.	1				
25	12102501	JOINT GUIDE	1	59	US05080B-10	UM. HD. BOLT	2				
26	11002601	SPRING	1	63	HS04070B-10	HEX. SOC. HD. BOLT	2				
27	11002702	GUIDE SAFETY LEVER	1	64	HS05080B-16	HEX. SOC. HD. BOLT	1				
31	11303101	SAFETY LEVER	1	65	LN0500N	LOCK NUT	2				
32	11103201	STEPPED PIN	2	66	11106601	COVER	1				
33-1	OR02519N	O RING	1	67	12106401	AIR PLUG	1				
33-2	12103301	SEAL	1	68	OR40030N	O RING**	1				
34-1	11003401	TRIGGER VALVE HEAD	1	69	11306902	BRACKET	1				
34-2	12103401	TRIGGER VALVE HEAD	1	72	11007201	SPRING	1				
35-1	11003503	TRIGGER VALVE STEM	1	74	11007401	EXHAUST COVER	1				
35-2	12103501	TRIGGER VALVE STEM	1	75	US05080B1-16	UM. HD. BOLT	1				
36	OR02515V	O RING**	1								
37	OR10719N	O RING**	2								
38-1	11003803	TRIGGER VALVE GUIDE	1								