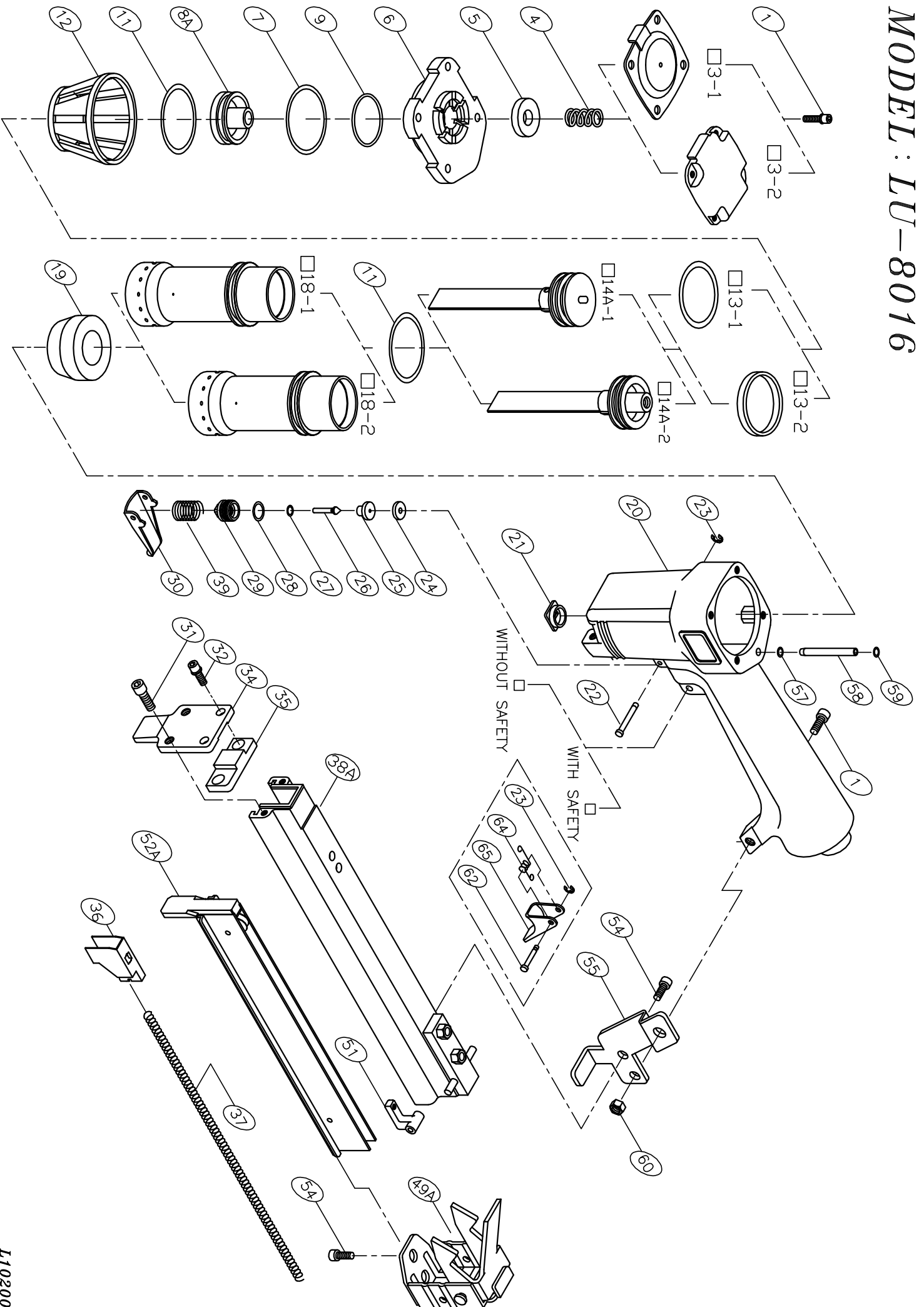


MODEL: LU-8016



PARTS LIST (LU-8016)

*WHEN ORDERING SPARE PARTS, PLEASE STATE ITEM No, PART NO. AND DESCRIPTION.

ITEM	PART NO	DESCRIPTION	QTY	ITEM	PART NO	DESCRIPTION	QTY	ITEM	PART NO	DESCRIPTION	QTY
01	HS05080BW-20	HEX. SOC. HD. BOLT+SW	5	37	10404301	SPRING	1				
03-1	10200301	CAP COVER	1	38A	22203801A	MAGAZINE	1				
03-2	10200302	CAP COVER	1	39	12103901	SPRING	1				
04	10200401	SPRING**	1	49A	10405201A	END CORE ASM.	1				
05	10200501	SEAL	1	51	19004801	SET PLATE	1				
06	10200601	CAP	1	52A	16604001A	STAPLE GUIDE UNIT	1				
07	OR32010N	O RING**	1	54	HS04070B-08	HEX. SOC. HD. BOLT	2				
08A	10200801A	HEAD VALVE ASM.	1	55	10405601	BRACKET	1				
09	OR11824N	O RING**	1	57	OR04515N	O RING**	1				
11	OR27025N	O RING**	2	58	10203201	TUBE	1				
12	10201201	COLLAR	1	59	OR02819N1	O RING**	1				
13-1	OR17730N	O RING**	1	60	LN0500N	LOCK NUT	1				
13-2	11501303	PISTON RING	1	62	10206201	STEPPED PIN	1				
14A-1	10201401A	DRIVER ASSEMBLY**	1	64	11009101	TOR. SPRING	1				
14A-2	10201402A	DRIVER ASSEMBLY**	1	65	11002801	TRIGGER	1				
18-1	10201801	CYLINDER	2								
18-2	10201801G	CYLINDER	1								
19	10201901	BUMPER**	1								
20	10202001	BODY	1								
21	19103001	JOINT GUIDE	1								
22	10202201	STEPPED PIN	1								
23	ER0250R	E RING	2								
24	12103301	SEAL	1								
25	12103401	TRIGGER VALVE HEAD	1								
26	12103501	TRIGGER VALVE STEM	1								
27	OR01919N	O RING**	1								
28	OR10719N	O RING**	1								
29	12103801	TRIGGER VALVE GUIDE	1								
30	10203001	TRIGGER	1								
31	HS04070B-12	HEX. SOC. HD. BOLT	2								
32	HS05080BW-18	HEX. SOC. HD. BOLT+SW	2								
34	19103601	NOSE	1								
35	10703801	SET PLATE	1								
36	19104501	PUSHER	1								